

Remote-controlled Dredges

Submersible Dredging Pumps | Remote Controlled Dredges Cable Dredgers
 | Amphibious Dredges



DRP: Remote-controlled dredge

Efficient and safe

The remote-controlled dredges (DRP) are the ideal solution for dredging in particularly complex and hard to reach environments. Extremely versatile, they can be used in many applications: from ports to quarries, from mines to industrial basins.

Thanks to the remote control, they can safeguard the operators' safety in case they work in the presence of acidic or corrosive substances, as often happens in the industrial or mining sector.

They can be transported and assembled more easily than larger dredges, with savings both in terms of time and startup costs. In addition, the low draft and compact design allow access even in narrow and shallow basins, where it would not be possible to operate with larger dredges

Small but powerful, DRPs are available in different versions: they can mount pumps of different power and be equipped with the most suitable accessories for the type of dredging required. Maximum production reaches 1000 cubic meters/hour.



Main characteristics

Small dimensions

Easy to transport and put into operation. Able to operate in areas that would be difficult to access with larger dredges. Operates easily in shallow water.

High level of customisation

DRP's can be equipped with GPS, video cameras security, jet ring systems, position lights and other accessories based on needs.

Easy to maneuver at a distance thanks to the remote control
 Simple and intuitive controls to operate the dredge, pump and accessories.

Ability to **automate pump movements and monitor job history** through a single control panel.

Advanced detection tools for measuring and maintaining performance.

Remote assistance to remotely carry out maintenance operations or changes to the settings of work.

Remote-controlled Dredges

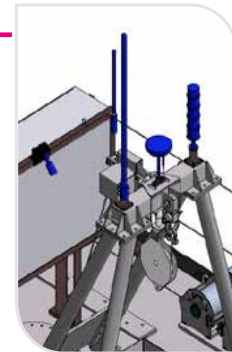
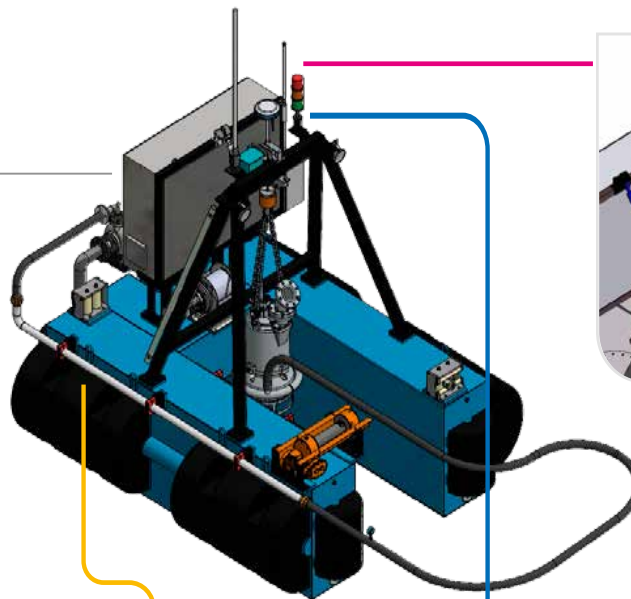
Submersible Dredging Pumps | Remote Controlled Dredges Cable
Dredgers | Amphibious Dredges

DRAGFLOW

DRP18



Electric control panel



Electronic control equipment

- Light tower
- Antenna for long distance remote control signal
- GPS
- Security camera
- Echo Sounder



Remote control

- Turns pump and jet ring on/off
- Moves pump and dredge
- Emergency stop
- Display with working depth and power consumption

Winches

- Used to move the dredge
- Synchronized movement

Electric hoist

- Precisely moves the pump
- Depth measuring pulley

Remote-controlled Dredges

Submersible Dredging Pumps | Remote Controlled Dredges
 Cable Dredgers | Amphibious Dredges



DRP18

DIMENSIONS



Length.....3.5 m
 Width.....2.8 m
 Height.....2.8 m
 Weight.....2 ton

TRANSPORT



Transportable in one container
 open top 20' 140 quintals capacity

MODULAR DESIGN



Dimensions:
 2 floaters 3 x 0.5 x 1m
 Draft:
 60 cm

EQUIPMENT	STANDARD	FULL OPTIONAL
Winches for moving	✓	✓
Night time operating lights	✓	✓
Electric Hoist	✓	✓
Control Panel	✓	✓
Temperature Sensor	✓	✓
Pond Bottom Liner Protection	✓	✓
Digital Depth Gauge	✓	✓
Power Consumption	✓	✓
Dredge GPS System		✓
Helix Propeller Jet		✓
Ring System		✓
Security camera		✓

- EL5** CAPACITY [m³/h-(gpm)]: 14(62)-38,5(170)
 HEAD [m(ft)] 12,5(41)-8(26)
 HOSE ADAPTOR DIAMETER: 80 mm
 MAX SOLID HANDLING: 20 mm
- EL7,5** CAPACITY [m³/h-(gpm)]: 17,5(77)-45(200)
 HEAD [m(ft)] 16(52)-13,5(44)
 HOSE ADAPTOR DIAMETER: 100 mm
 MAX SOLID HANDLING: 25 mm
- EL10** CAPACITY [m³/h-(gpm)]: 21(92)-49(215)
 HEAD [m (ft)] 22(72)-20(66)
 HOSE ADAPTOR DIAMETER: 100 mm
 MAX SOLID HANDLING: 25 mm
- EL12,5** CAPACITY [m³/h-(gpm)]: 24(106)-64(282)
 HEAD [m(ft)] 24(106)-64(282)
 HOSE ADAPTOR DIAMETER: 100 mm
 MAX SOLID HANDLING: 25 mm
- EL20** CAPACITY [m³/h-(gpm)]: 60-120
 HEAD [m (ft)] 23(75)-19(62)
 HOSE ADAPTOR DIAMETER: 100 mm
 MAX SOLID HANDLING: 25 mm



Jet ring system

- High pressure water jets used to rupture the material and have a higher solid concentration in the mixture.
- Water capacity: 20 m³/h
- Pressure: 6 bar – 7 bar
- Drive: Horizontal high pressure centrifugal pump
- Operation via radio control.

Remote-controlled Dredges

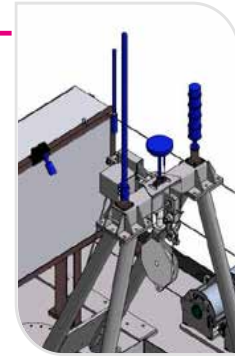
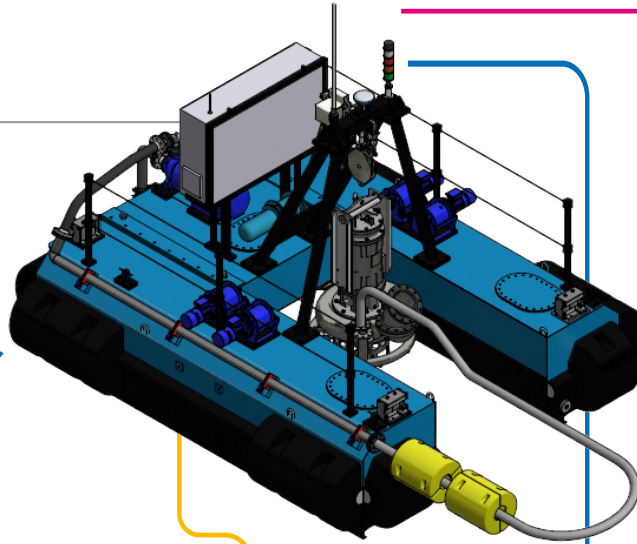
Submersible Dredging Pumps | Remote Controlled Dredges
 Cable Dredgers | Amphibious Dredges



DRP60



Electric control panel



Electronic control equipment

- Light tower
- Antenna for long distance remote control signal
- GPS
- Security camera
- Echo Sounder

Cooling Jacket System

- To cool the pumps electronic motor

Winches

- Used to move the dredge
- Synchronized movement

Electric hoist

- Precisely moves the pump
- Depth measuring pulley



Remote control

- Turns pump and jet ring on/off
- Moves pump and dredge
- Emergency stop
- Display with working depth and power consumption

Remote-controlled Dredges

Submersible Dredging Pumps | Remote Controlled Dredges
 Cable Dredgers | Amphibious Dredges



DRP60

DIMENSIONS



Length.....5.3 m
 Width.....4.3 m
 Height.....4.0 m
 Weight.....5.5 ton

TRANSPORT



Transportable in two containers 40' open-top
 280 quintals capacity

MODULAR DESIGN



Dimensions:
 2 floaters 4.5 x 1 x 1.2m
 With central platform
Draft:
 50 - 60 cm

EQUIPMENT	STANDARD	FULL OPTIONAL
Winches for moving	✓	✓
Night time operating lights	✓	✓
Electric Hoist	✓	✓
Control Panel	✓	✓
Temperature Sensor		✓
Pond Bottom Liner Protection		✓
Digital Depth Gauge	✓	✓
Power Consumption	✓	✓
Dredge GPS System		✓
Helix Propeller		✓
Jet-Ring System		✓
Security camera		✓

E60 CAPACITY [m³/h-(gpm)]:

150(660)-500(2200)

HEAD [m (ft)] 28(92)-25(82)

DISCHARGE DIAMETER: DN150

MAX SOLID HANDLING: 60 mm

E60HC CAPACITY [m³/h-(gpm)]:

300(1320)-450(2640)

HEAD [m (ft)] 16(53)-9(39)

DISCHARGE DIAMETER: DN250

MAX SOLID HANDLING: 90 mm



Jet ring system

- High pressure water jets used to rupture the material and have a higher solid concentration in the mixture.
- Water capacity: 60 m³/h
- Pressure: 6 bar – 7 bar
- Drive: Horizontal high pressure centrifugal pump
- Operation via radio control.

Remote-controlled Dredges

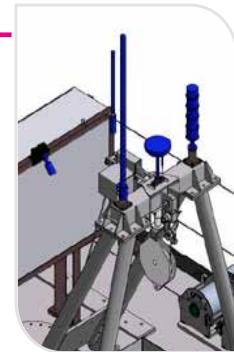
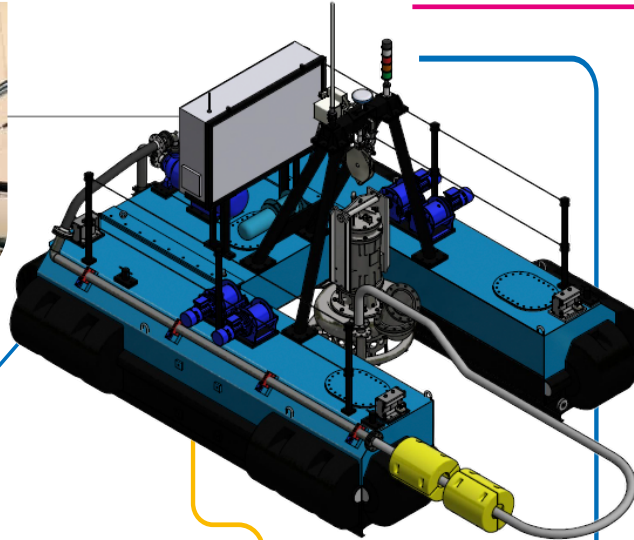
Submersible Dredging Pumps | Remote Controlled Dredges
 Cable Dredgers | Amphibious Dredges



DRP120



Electric control panel



Electronic control equipment

- Light tower
- Antenna for long distance remote control signal
- GPS
- Security camera
- Echo Sounder

Cooling Jacket System

- To cool the pumps electronic motor

Winches

- Used to move the dredge
- Synchronized movement

Electric hoist

- Precisely moves the pump
- Depth measuring pulley



Remote control

- Turns pump and jet ring on/off
- Moves pump and dredge
- Emergency stop
- Display with working depth and power consumption

Remote-controlled Dredges

Submersible Dredging Pumps | Remote Controlled Dredges
 Cable Dredgers | Amphibious Dredges



DRP120

DIMENSIONS



Length.....5.3 m
 Width.....4.3 m
 Height.....4.0 m
 Weight.....5.5 ton

TRANSPORT



Transportable in two containers 40' open-top
 280 quintals capacity

MODULAR DESIGN



Dimensions:
 2 floaters 4.5 x 1 x 1.2m With central platform
Draft:
 50 - 60 cm

EQUIPMENT	STANDARD	FULL OPTIONAL
Winches for moving	✓	✓
Night time operating lights	✓	✓
Electric Hoist	✓	✓
Control Panel	✓	✓
Temperature Sensor		✓
Pond Bottom Liner Protection		✓
Digital Depth Gauge	✓	✓
Power Consumption	✓	✓
Dredge GPS System		✓
Helix Propeller		✓
Jet-Ring System		✓
Security camera		✓

EL1204 CAPACITY [m³/h-(gpm)]: 158(696)-300(1320)
 HEAD [m (ft)] 46(202)-32(140)
 DISCHARGE DIAMETER: DN150/200
 MAX SOLID HANDLING: 60 mm

EL1204HC CAPACITY [m³/h-(gpm)]: 400(1760)-700 (3082)
 HEAD [m (ft)] 23(75)-16 (52)
 DISCHARGE DIAMETER: DN250
 MAX SOLID HANDLING: 90 mm

EL1204HH CAPACITY [m³/h-(gpm)]: 120(528)-300(1320)
 HEAD [m (ft)] 72(236)-42(137)
 DISCHARGE DIAMETER: DN100
 MAX SOLID HANDLING: 35 mm



Jet ring system

- High pressure water jets used to rupture the material and have a higher solid concentration in the mixture.
- Water capacity: 60 m³/h
- Pressure: 6 bar – 7 bar
- Drive: Horizontal high pressure centrifugal pump
- Operation via radio control.

Remote-controlled Dredges

Submersible Dredging Pumps | Remote Controlled Dredges
 Cable Dredgers | Amphibious Dredges



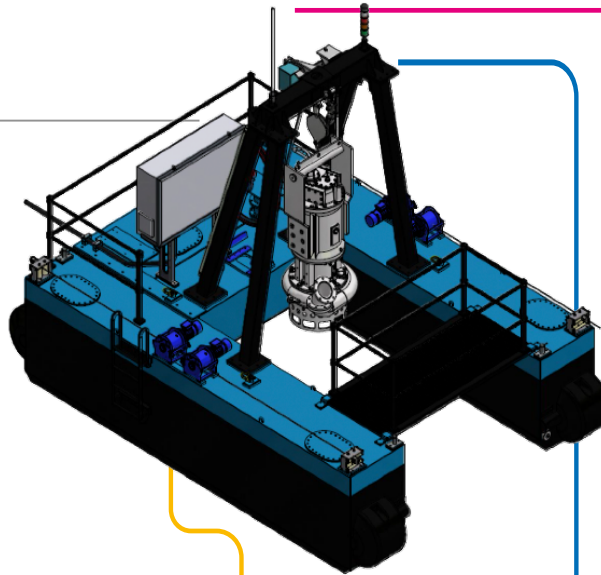
DRP150



Electric control panel

Cooling Jacket System

- To cool the pump's electric motor

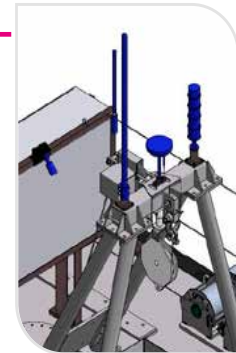


Winches

- Used to move the dredge
- Synchronized movement

Electric hoist

- Precisely moves the pump
- Depth measuring pulley



Electronic control equipment

- Light tower
- Antenna for long distance remote control signal
- GPS
- Security camera
- Echo Sounder



Remote control

- Turns pump and jet ring on/off
- Moves pump and dredge
- Emergency stop
- Display with working depth and power consumption

Remote-controlled Dredges

Submersible Dredging Pumps | Remote Controlled Dredges
 Cable Dredgers | Amphibious Dredges



DRP150

DIMENSIONS



Length.....6.5 m
 Width.....4.5 m
 Height.....5.0 m
 Weight.....10 ton

TRANSPORT



Transportable in two containers
 40' open-top
 280 quintals capacity

MODULAR DESIGN



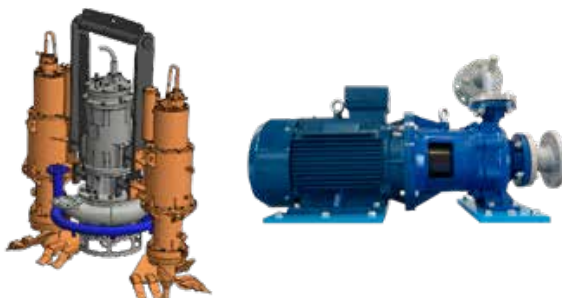
Dimensions:
 2 floaters 6 x 1 x 1.5m
 With central platform
Draft:
 115 cm

EQUIPMENT	STANDARD	FULL OPTIONAL
Winches for moving	✓	✓
Night time operating lights	✓	✓
Electric Hoist	✓	✓
Control Panel	✓	✓
Temperature Sensor		✓
Pond Bottom Liner Protection		✓
Digital Depth Gauge	✓	✓
Power Consumption	✓	✓
Dredge GPS System		✓
Helix Propeller		✓
Jet-Ring System		✓
Security camera		✓

- EL60*** CAPACITY [m³/h-(gpm)]: 130(572)-260(1145)
 HEAD [m (ft)] 28(92)-25(82)
 DISCHARGE DIAMETER: DN150
 MAX SOLID HANDLING: 60 mm
- EL1204*** CAPACITY [m³/h-(gpm)]: 158(696)-360(1585)
 HEAD [m (ft)] 48(157)-40(131)
 DISCHARGE DIAMETER: DN150
 MAX SOLID HANDLING: 60 mm
- EL110**** CAPACITY [m³/h-(gpm)]: 180(793)-420(1849)
 HEAD [m (ft)] 34(112)-28(92)
 DISCHARGE DIAMETER: DN200
 MAX SOLID HANDLING: 60 mm
- EL180**** CAPACITY [m³/h-(gpm)]: 270(1189)-540(2378)
 HEAD [m (ft)] 43(141)-33(108)
 DISCHARGE DIAMETER: DN200
 MAX SOLID HANDLING: 60 mm
- EL150**** CAPACITY [m³/h-(gpm)]: 280(1232)-640(2817)
 HEAD [m (ft)] 27(88,5)-23(75,45)
 DISCHARGE DIAMETER: DN250
 MAX SOLID HANDLING: 120 mm

Jet ring system

- High pressure water jets used to rupture the material and have a higher solid concentration in the mixture.
- Water capacity: 60 m³/h
- Pressure: 6 bar – 7 bar
- Drive: Horizontal high pressure centrifugal pump
- Operation via radio control.



* = Can be equipped with side cutters

** = without excavators

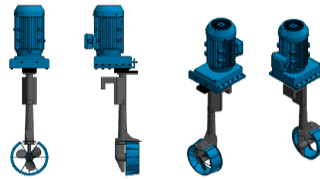
Remote-controlled Dredges

Submersible Dredging Pumps | Remote Controlled Dredges
 Cable Dredgers | Amphibious Dredges

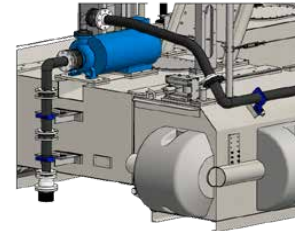
DRAGFLOW

Accessories

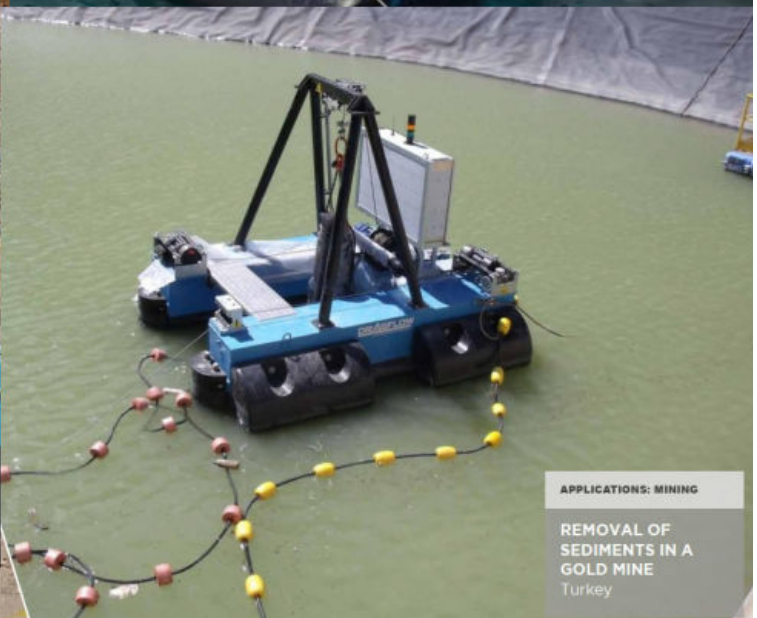
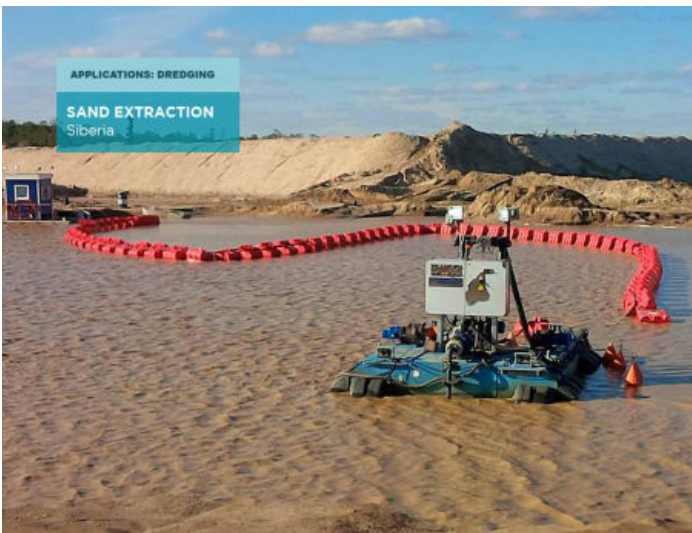
- Propeller
- Jet-Ring System
- GPS
- Echo sounder
- Bespoke personalization



Propeller



Jet-Ring System



Dredging at any scale - Talk to us about your project needs.
 We have customised solutions to suit your requirements.
 Sales / Hire / Rent-to-buy